

LEDJ

Q Colour HEX

User Manual



Order code: LEDJ211

WARNING

FOR YOUR OWN SAFETY, PLEASE READ THIS USER MANUAL CAREFULLY BEFORE YOUR INITIAL START-UP!

- Before your initial start-up, please make sure that there is no damage caused during transportation.
- Should there be any damage, consult your dealer and do not use the equipment.
- To maintain the equipment in good working condition and to ensure safe operation, it is necessary for the user to follow the safety instructions and warning notes written in this manual.
- Please note that damages caused by user modifications to this equipment are not subject to warranty.



IMPORTANT:

The manufacturer will not accept liability for any resulting damages caused by the non-observance of this manual or any unauthorised modification to the equipment.

- Never let the power cable come into contact with other cables. Handle the power cable and all mains voltage connections with particular caution!
- Never remove warning or informative labels from the unit.
- Do not open the equipment and do not modify the unit.
- Do not connect this equipment to a dimmer pack.
- Do not switch the equipment on and off in short intervals, as this will reduce the system's life.
- Only use the equipment indoors.
- Do not expose to flammable sources, liquids or gases.
- Always disconnect the power from the mains when equipment is not in use or before cleaning! Only handle the power-cable by the plug. Never pull out the plug by pulling the power-cable.
- Make sure that the available mains supply voltage is between 100~240V AC, 50/60Hz.
- Make sure that the power cable is never crimped or damaged. Check the equipment and the power cable periodically.
- If the equipment is dropped or damaged, disconnect the mains power supply immediately and have a qualified engineer inspect the equipment before operating again.
- If the equipment has been exposed to drastic temperature fluctuation (e.g. after transportation), do not connect power or switch it on immediately. The arising condensation might damage the equipment. Leave the equipment switched off until it has reached room temperature.
- If your product fails to function correctly, stop use immediately. Pack the unit securely (preferably in the original packing material), and return it to your Pro Light dealer for service.
- Only use fuses of same type and rating.
- Repairs, servicing and power connection must only be carried out by a qualified technician. THIS UNIT CONTAINS NO USER SERVICEABLE PARTS.
- This lighting fixture is for professional use only - it is not designed for or suitable for household use. The product must be installed by a qualified technician in accordance with local territory regulations. The safety of the installation is the responsibility of the installer. The fixture presents risks of severe injury or death due to fire hazards, electric shock and falls.
- Warning! Risk Group 2 LED product according to EN 62471. Do not view the light output with optical instruments or any device that may concentrate the beam.
- WARRANTY: One year from date of purchase.

OPERATING DETERMINATIONS

If this equipment is operated in any other way, than those described in this manual, the product may suffer damage and the warranty becomes void. Incorrect operation may lead to danger e.g: short-circuit, burns and electric shocks etc.

Do not endanger your own safety and the safety of others!

Incorrect installation or use can cause serious damage to people and/or property.

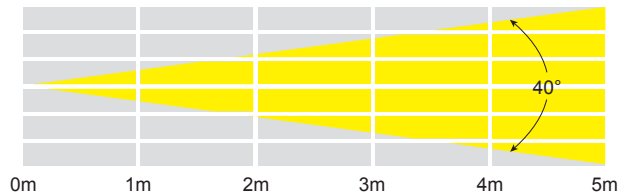
Q Colour HEX

Utilising LED technology the Q Colour HEX adds intense colour to stages and performers. The fixture has a slim rugged chassis and provides exceptional quality, coverage and ease of use. With the ability to run built-in programs and perform full RGBWAUV colour mixing with or without DMX control the fixture is perfect for a host of applications.

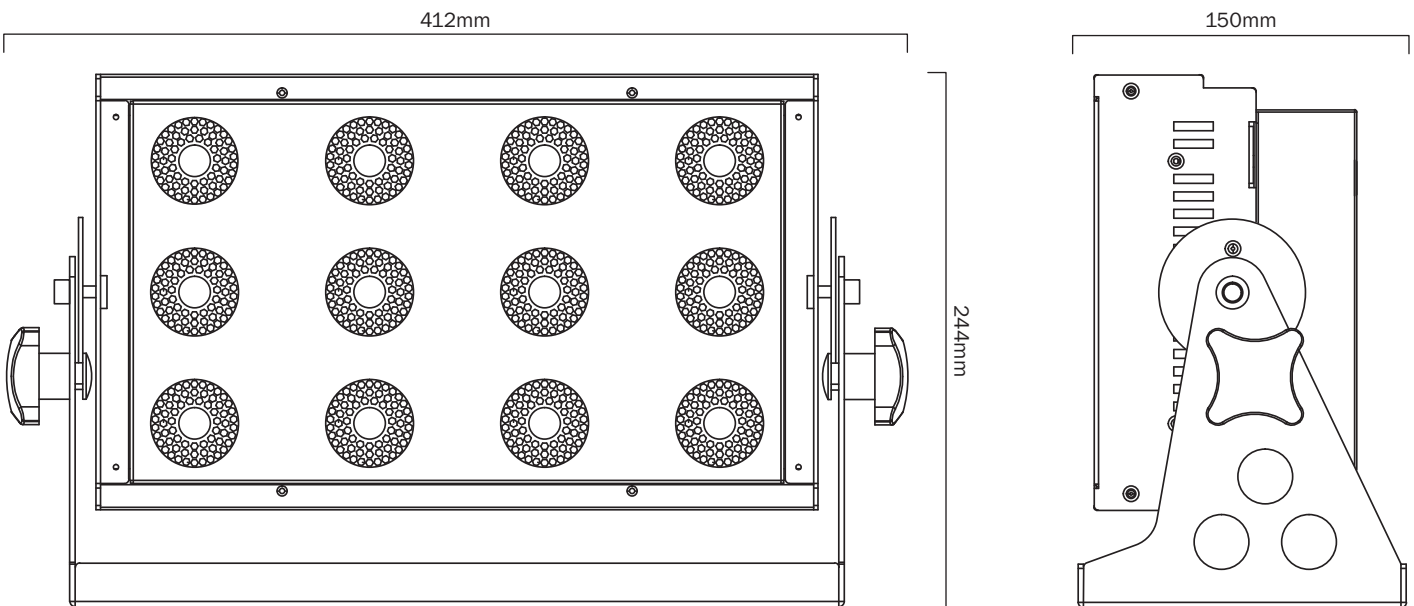
- 12 x 12W six-colour LEDs (RGBWAUV)
- Beam angle: 40°
- 3,480 Lux @ 2m
- 3kHz refresh rate
- DMX channels: 3/4/5/6/8 or 11 selectable
- Static colour, colour mix, colour change, colour fade, sound active and master/slave modes plus built-in programs
- 0-100% dimming and variable strobe
- Bracket allows for multiple rigging or floor standing applications
- 4 push button menu with LCD display
- PowerCON input/output
- 5-Pin XLR input/output
- Fan cooled
- Barn doors included

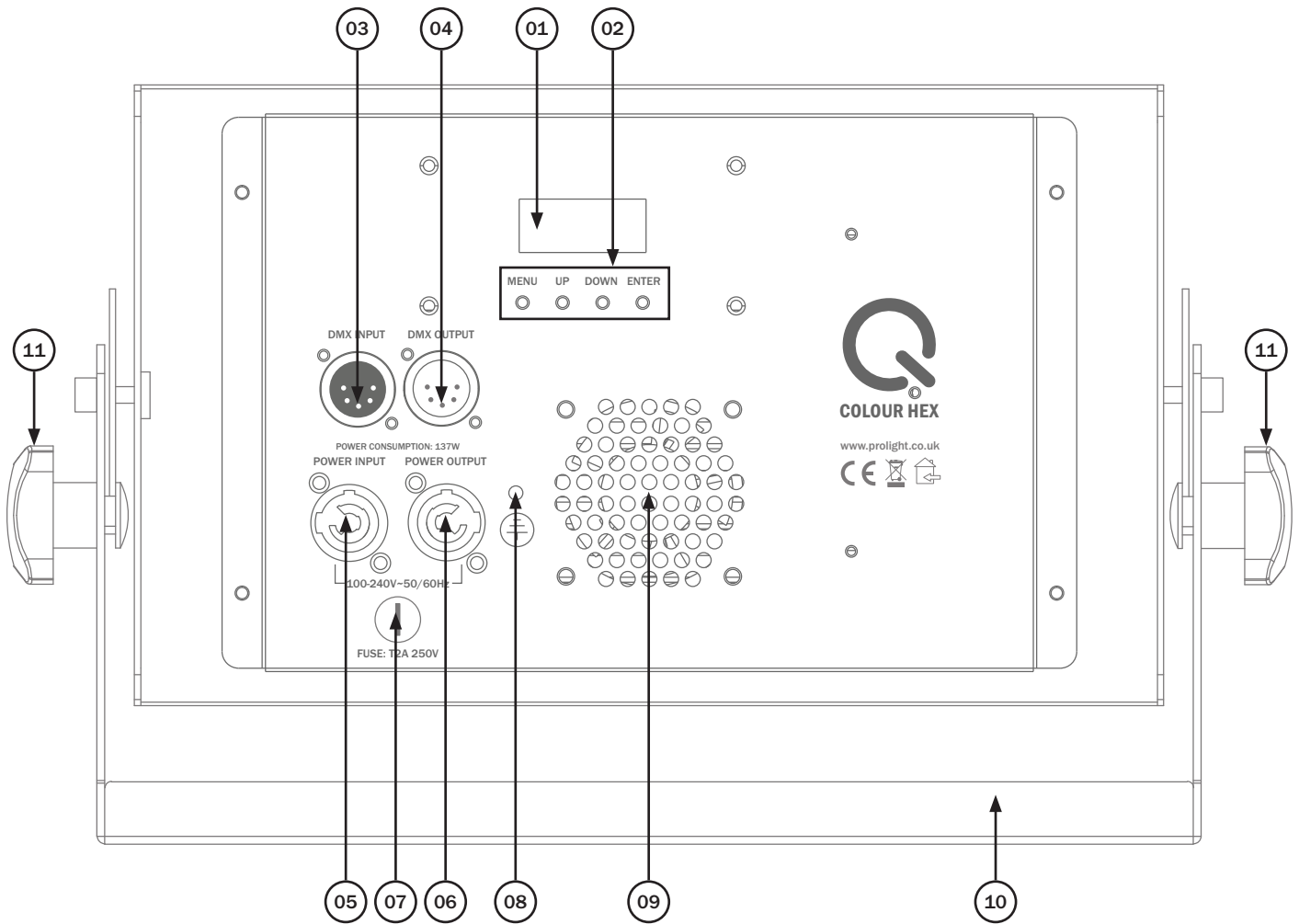


40° - Lux					
FULL ON	17200	4305	1920	1080	690
R	3730	933	415	233	149
G	5920	1482	658	370	237
B	1320	329	146	82.3	52.6
W	6320	1579	702	395	253
A	2870	718	319	180	115
UV	N/A	N/A	N/A	N/A	N/A



Specifications	Q Colour HEX
Power consumption	137W
Power supply	100~240V, 50/60Hz
Fuse	T2A 250V
Dimensions	244 x 412 x 150mm
Weight	6.3kg
Order codes	LEDJ211





- 01 - LCD display
- 02 - Function buttons
- 03 - 5-Pin DMX input
- 04 - 5-Pin DMX output
- 05 - PowerCON input
- 06 - PowerCON output

- 07 - Fuse T2A 250V
- 08 - Earth point
- 09 - Fan
- 10 - Hanging/floor bracket
- 11 - Bracket adjustable knobs

In the box: **1 x fixture,**
1 x barn door,
1 x power cable
& 1 x user manual

Control Panel Menu:

The LCD control panel situated on the rear of the fixture allows the user to access the menu system to adjust the fixtures settings. When the unit has been powered on it will show “**Update wait...**” followed by “**QColour HEX**”. The fixture will then return to its home screen. To access the main menu press the “**MENU**” button and use the “**UP**” and “**DOWN**” buttons until the menu required is highlighted.

Pressing the “**ENTER**” button on one of these options allows you to access the sub menu where you use the “**UP**” and “**DOWN**” buttons to select the option/value required.

Once the option/value has been selected press the “**ENTER**” button once more to confirm the setting.

To exit out of any menus, press and hold the “**MENU**” button.

Main Menu	Sub Menu	Options/Values (Default Settings in Bold)		Description
DMX Addr	Addr:	001-512		DMX Address Setting
CH Mode		3CH (3 channel mode)		DMX Channel Setting
		4CH (4 channel mode)		
		5CH (5 channel mode)		
		6CH (6 channel mode)		
		8CH (8 channel mode)		
		11CH (11 channel mode)		
Master		On		Master Mode
		Off		
Slave		Slave 1		Slave Mode
		Slave 2		
ProgMode		ProgM01-13	Sped=000-255	Built-in Programs
ColoMode		Red	000-255	Colour Mix Mode
		Green	000-255	
		Blue	000-255	
		White	000-255	
		Amber	000-255	
		UV	000-255	
ColMacro		Colour01-Colour64		Colour Macros
MastDim		000-255		Master Dimmer
Sound		On		Sound Mode (This takes priority over the program speed when on)
		Off		
Sense		001-100 (80)		Sound Sensitivity Setting
DMXFail		BlackOut		DMX Fail Setting
		Hold		
		Program		
DimCurve		Linear		Dimming Curve Settings
		Square		
		InSquare		
		S-curve		

Main Menu	Sub Menu	Options/Values (Default Settings in Bold)	Description	
DimSpeed		Fast	Dimming Speed Setting	
		Smooth		
LCD		Off	LCD Backlight	
		On		
Balance		Red	000-255	White Balance Setting
		Green	000-255	
		Blue	000-255	
		White	000-255	
		Amber	000-255	
		UV	000-255	
AutoTest		Testing	Auto Test	
Temp.		---	Fixture Temperature	
Hours		----	Fixture Run Time	
Factory		No	Factory Default Settings	
		Yes		
Version		V-.-	Software Version	

3 channel mode:

Channel	Value	Function
1	000-255	Red (0-100%)
2	000-255	Green (0-100%)
3	000-255	Blue (0-100%)

4 channel mode:

Channel	Value	Function
1	000-255	Red (0-100%)
2	000-255	Green (0-100%)
3	000-255	Blue (0-100%)
4	000-255	White (0-100%)

8 channel mode:

Channel	Value	Function
1	000-255	Red (0-100%)
2	000-255	Green (0-100%)
3	000-255	Blue (0-100%)
4	000-255	White (0-100%)
5	000-255	Amber (0-100%)
6	000-255	UV (0-100%)
7	000-031	Blackout
	032-063	Open
	064-095	Strobe (slow-fast)
	096-127	Open
	128-159	Pulse strobe (slow-fast)
	160-191	Open
	192-223	Random strobe (slow-fast)
224-255	Open	
8	000-255	Master dimmer (0-100%)

5 channel mode:

Channel	Value	Function
1	000-255	Red (0-100%)
2	000-255	Green (0-100%)
3	000-255	Blue (0-100%)
4	000-255	White (0-100%)
5	000-255	Amber (0-100%)

6 channel mode:

Channel	Value	Function
1	000-255	Red (0-100%)
2	000-255	Green (0-100%)
3	000-255	Blue (0-100%)
4	000-255	White (0-100%)
5	000-255	Amber (0-100%)
6	000-255	UV (0-100%)

11 channel mode:

Channel	Value	Function
1	000-255	Red (0-100%)
2	000-255	Green (0-100%)
3	000-255	Blue (0-100%)
4	000-255	White (0-100%)
5	000-255	Amber (0-100%)
6	000-255	UV (0-100%)
7	000	No function
	001-004	Colour Macro 1
	005-008	Colour Macro 2
	009-012	Colour Macro 3
	013-016	Colour Macro 4
	017-020	Colour Macro 5
	021-024	Colour Macro 6
	025-028	Colour Macro 7
	029-032	Colour Macro 8
	033-036	Colour Macro 9
	037-040	Colour Macro 10
	041-044	Colour Macro 11
	045-048	Colour Macro 12
	049-052	Colour Macro 13
	053-056	Colour Macro 14
	057-060	Colour Macro 15
	061-064	Colour Macro 16
	065-068	Colour Macro 17
	069-072	Colour Macro 18
	073-076	Colour Macro 19
	077-080	Colour Macro 20
	081-084	Colour Macro 21
	085-088	Colour Macro 22
	089-092	Colour Macro 23
	093-096	Colour Macro 24
	097-100	Colour Macro 25
	101-104	Colour Macro 26
	105-108	Colour Macro 27
	109-112	Colour Macro 28
	113-116	Colour Macro 29
	117-120	Colour Macro 30
	121-124	Colour Macro 31
	125-128	Colour Macro 32
129-132	Colour Macro 33	

Channel	Value	Function	
7 cont.	133-136	Colour Macro 34	
	137-140	Colour Macro 35	
	141-144	Colour Macro 36	
	145-148	Colour Macro 37	
	149-152	Colour Macro 38	
	153-156	Colour Macro 38	
	157-160	Colour Macro 40	
	161-164	Colour Macro 41	
	165-168	Colour Macro 42	
	169-172	Colour Macro 43	
	173-176	Colour Macro 44	
	177-180	Colour Macro 45	
	181-184	Colour Macro 46	
	185-188	Colour Macro 47	
	189-192	Colour Macro 48	
	193-196	Colour Macro 49	
	197-200	Colour Macro 50	
	201-204	Colour Macro 51	
	205-208	Colour Macro 52	
	209-212	Colour Macro 53	
	213-216	Colour Macro 54	
	217-220	Colour Macro 55	
	221-224	Colour Macro 56	
	225-228	Colour Macro 57	
	229-232	Colour Macro 58	
	233-236	Colour Macro 59	
	237-240	Colour Macro 60	
	241-244	Colour Macro 61	
	245-248	Colour Macro 62	
	249-252	Colour Macro 63	
	253-255	Colour Macro 64	
	8	000-031	Blackout
		032-063	Open
064-095		Strobe (slow-fast)	
096-127		Open	
128-159		Pulse strobe (slow-fast)	
160-191		Open	
192-223		Random strobe (slow-fast)	
224-255	Open		
9	000-255	Master dimmer (0-100%)	

11 channel mode (cont.):

Channel	Value	Function
10	000-007	No function
	008-026	Program 1 (RGB fade)
	027-045	Program 2 (RGBW fade)
	046-064	Program 3 (RGBA fade)
	065-083	Program 4 (RGBUV fade)
	084-102	Program 5 (RGBWAUV fade)
	103-121	Program 6 (6 colour change)
	122-140	Program 7 (12 colour change)
	141-159	Program 8 (RGB fade in/out)
	160-178	Program 9 (RGBW fade in/out)
	179-197	Program 10 (RGBA fade in/out)
	198-216	Program 11 (RGBUV fade in/out)
	217-235	Program 12 (RGBWAUV fade in/out)
236-255	Program 13 (12 colour fade in/out)	
11	000-255	Program speed (slow-fast)

Setting the DMX address:

The DMX mode enables the use of a universal DMX controller. Each fixture requires a “start address” from 1- 512. A fixture requiring one or more channels for control begins to read the data on the channel indicated by the start address. For example, a fixture that occupies or uses 7 channels of DMX and was addressed to start on DMX channel 100, would read data from channels: 100, 101, 102, 103, 104, 105 and 106. Choose a start address so that the channels used do not overlap. E.g. the next unit in the chain starts at 107.

DMX 512:

DMX (Digital Multiplex) is a universal protocol used as a form of communication between intelligent fixtures and controllers. A DMX controller sends DMX data instructions from the controller to the fixture. DMX data is sent as serial data that travels from fixture to fixture via the DATA “IN” and DATA “OUT” XLR terminals located on all DMX fixtures (most controllers only have a data “out” terminal).

DMX linking:

DMX is a language allowing all makes and models of different manufactures to be linked together and operate from a single controller, as long as all fixtures and the controller are DMX compliant. To ensure proper DMX data transmission, when using several DMX fixtures try to use the shortest cable path possible. The order in which fixtures are connected in a DMX line does not influence the DMX addressing. For example; a fixture assigned to a DMX address of 1 may be placed anywhere in a DMX line, at the beginning, at the end, or anywhere in the middle. When a fixture is assigned a DMX address of 1, the DMX controller knows to send DATA assigned to address 1 to that unit, no matter where it is located in the DMX chain.

DATA cable (DMX cable) requirements (for DMX operation):

This fixture can be controlled via DMX-512 protocol. The DMX address is set on the back of the unit. Your unit requires either a standard 3-pin or 5-pin XLR connector for data input/output, see images below.



Further DMX cables can be purchased from all good sound and lighting suppliers or Prolight Concepts dealers.

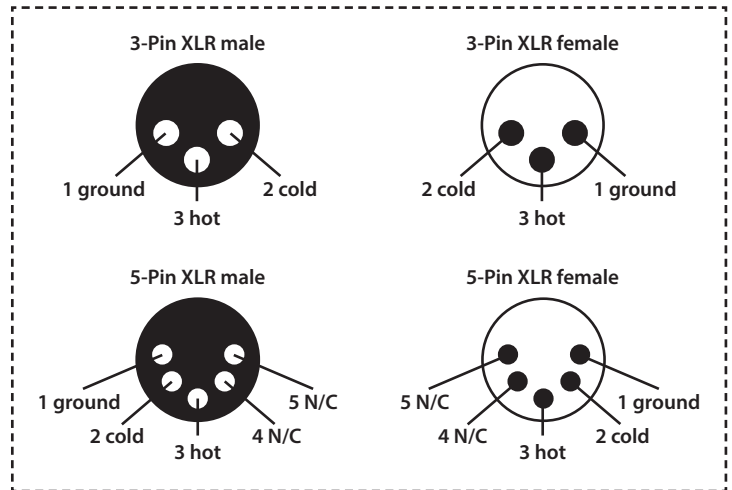
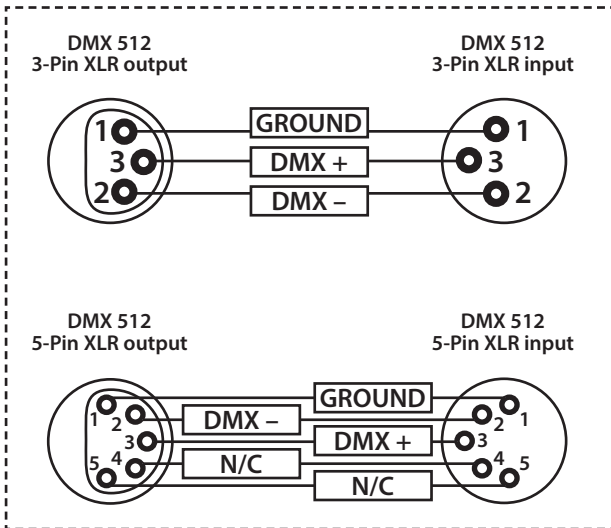
Please quote:	3-Pin:	CABL10 – 2m	CABL11 – 5m	CABL12 – 10m
	5-Pin:	CABL185 – 2m	CABL187 – 5m	CABL188 – 10m

Also remember that DMX cable must be daisy chained and cannot be split.

Notice:

Be sure to follow the diagrams below when making your own cables. Do not connect the cables shield conductor to the ground lug or allow the shield conductor to come in contact with the XLRs outer casing. Grounding the shield could cause a short circuit and erratic behaviour.

Pin Configuration	
3-Pin	5-Pin
	Pin 1 - Ground
	Pin 2 - Negative
	Pin 3 - Positive
-	Pin 4 - N/C
-	Pin 5 - N/C

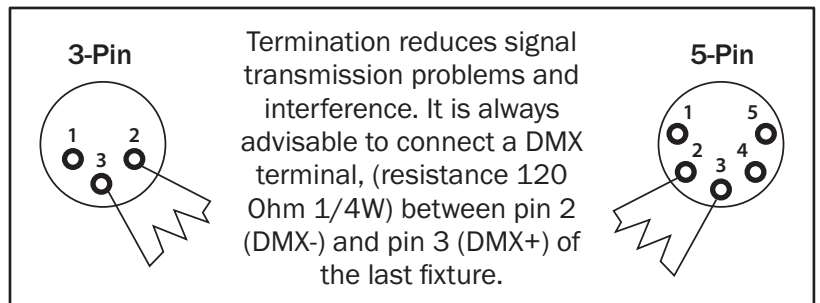


Line termination:

When longer runs of cable are used, you may need to use a terminator on the last unit to avoid erratic behaviour.

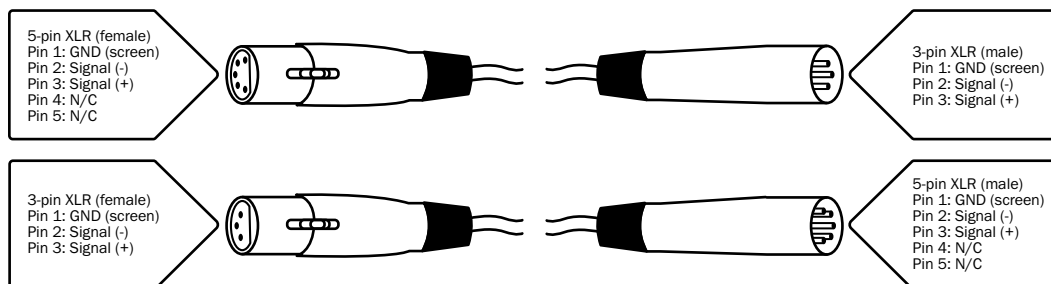
Using a cable terminator will decrease the possibilities of erratic behaviour.

(3-pin - Order ref: CABL90,
5-pin - Order ref: CABL89)



5-pin XLR DMX connectors:

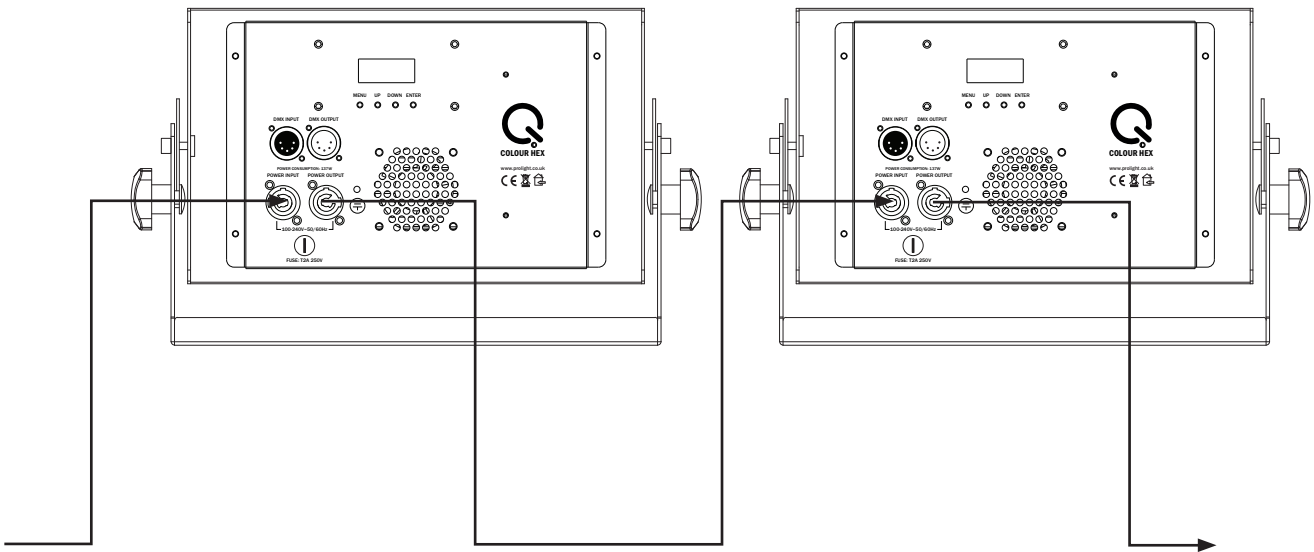
Some manufactures use 5-pin XLR connectors for data transmission in place of 3-pin. 5-pin XLR fixtures may be implemented in a 3-pin XLR DMX line. When inserting standard 5-pin XLR connectors in to a 3-pin line a cable adaptor must be used. The diagram below details the correct cable conversion.



Power linking:

This fixture provides power linking via the power output on the rear allowing multiple units to be connected together. The maximum number of fixtures that can be connected is 16 fixtures @ 240V or 8 fixtures @ 120V (including the first fixture). After the maximum number of fixtures are connected a new power run will need to be started.

Please note: Caution should be used when power linking other fixtures to the Q Colour HEX as the power consumption of other fixtures will vary. Fixtures fitted with lamps often require 2/3 times more current on startup, these may require their own power source.





Correct Disposal of this Product (Waste Electrical & Electronic Equipment)

**(Applicable in the European Union and other European countries
with separate collection systems)**

This marking shown on the product or its literature, indicates that it should not be disposed of with other household wastes at the end of its working life. To prevent possible harm to the environment or human health from uncontrolled waste disposal, please separate this from other types of wastes and recycle it responsibly to promote the sustainable reuse of material resources.

Household users should contact either the retailer where they purchased this product, or their local government office, for details of where and how they can take this item for environmentally safe recycling.

Business users should contact their supplier and check the terms and conditions of the purchase contract. This product should not be mixed with other commercial wastes for disposal.

